

DESCRIPTION

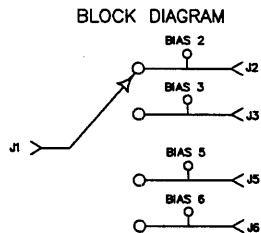
AMC MODEL SWN-1140-4DR-STANDARD OPTION SS, 16F, PIVS, HPR6W IS A SINGLE POLE FOUR THROW, REFLECTIVE SOLID STATE SWITCH MODULE DESIGNED FOR HIGH POWER WITH SINGLE SUPPLY AND INTEGRAL TTL DRIVER FOR OPERATION AT 16 GHz FIXED FREQUENCY.

SPECIFICATIONS

- FREQUENCY RANGE: 16 GHz
- INSERTION LOSS: 1.5 dB TYPICAL, 2.0 dB MAXIMUM
- ISOLATION: 35 dB MINIMUM
- VSWR: 2.0:1
- SPEED: RISE: 10 ns TYPICAL, 15 ns MAX
FALL: 10 ns TYPICAL, 15 ns MAX
DELAY ON: 75 ns TYPICAL, 100 ns MAX
DELAY OFF: 75 ns TYPICAL, 100 ns MAX
- POWER INPUT: (CW)+20 dBm (STANDARD),
+10 dBm (HIGH SPEED)
- CONTROL: TTL LOGIC "0"=ON, "1"=OFF
- POWER SUPPLY: +10 V SINGLE SUPPLY

OPTIONS

- SS SINGLE SUPPLY OF +10V
- 16F OPTIMIZED FOR 16 GHz
- PIVS SPECIAL FOR CUSTOMER
- HPR6W HIGH POWER 6 WATTS



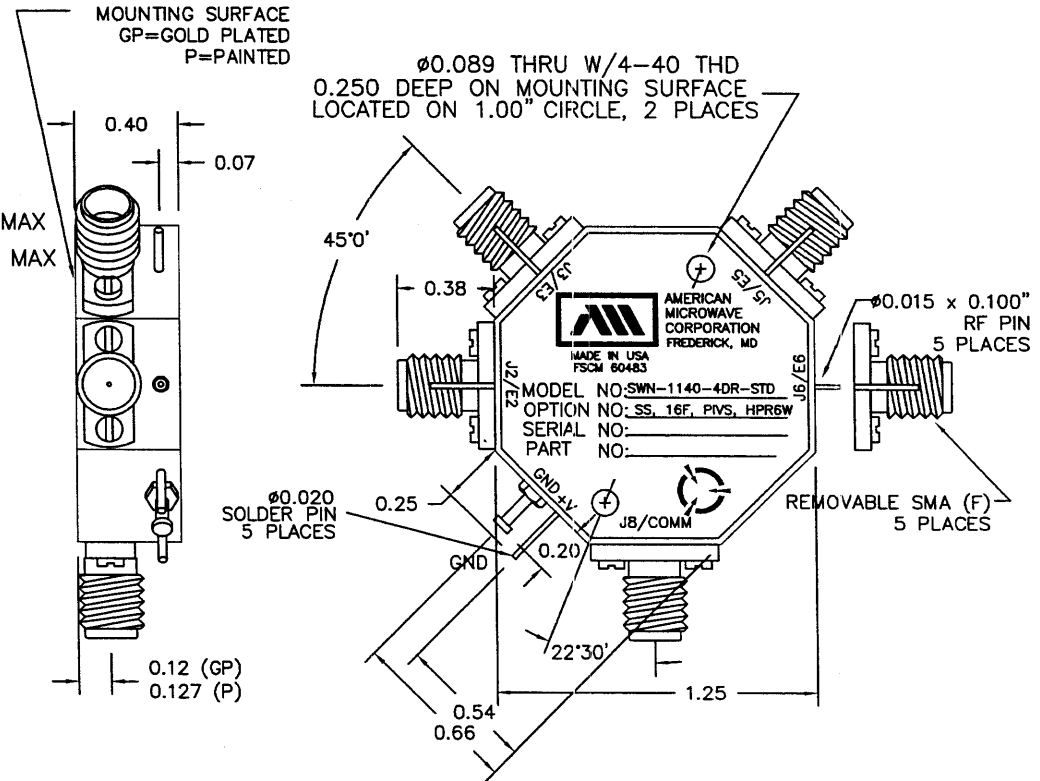
ENVIRONMENTAL RATINGS

- **TEMPERATURE:** -40°C TO +85°C (OPERATING)
-65°C TO +125°C (STORAGE)
- **HUMIDITY:** MIL-STD-202F, METHOD 103B COND. B
- **SHOCK:** MIL-STD-202F, METHOD 213B COND. B
- **VIBRATION:** MIL-STD-202F, METHOD 204D COND. B
- **ALTITUDE:** MIL-STD-202F, METHOD 105C COND. B
- **TEMPERATURE CYCLE:** MIL-STD-202F, METHOD 107D COND. A

NOTE: SPECIFICATIONS WILL VARY OVER OPERATING TEMPERATURE
NOTE: THE ABOVE SPECIFICATIONS ARE SUBJECT TO CHANGE OR REVISION

ALL DIMENSIONS ARE IN INCHES
TOLERANCES:
X.XX ±0.020
X.XXX ±0.010

REVISIONS				
ZONE	REV.	DESCRIPTION	DATE	APPROVED
-		ORIGINAL RELEASE JOB# 408204PE	10/21/04	ES



AMERICAN MICROWAVE CORPORATION

7311-G GROVE ROAD
FREDERICK, MARYLAND 21704 USA
TEL: 301-662-4700 FAX: 301-662-4938
WEBSITE: www.americanmicrowavecorp.com
E-MAIL: sales@americanmicrowavecorp.com
ISO 9001:2000 CERTIFIED

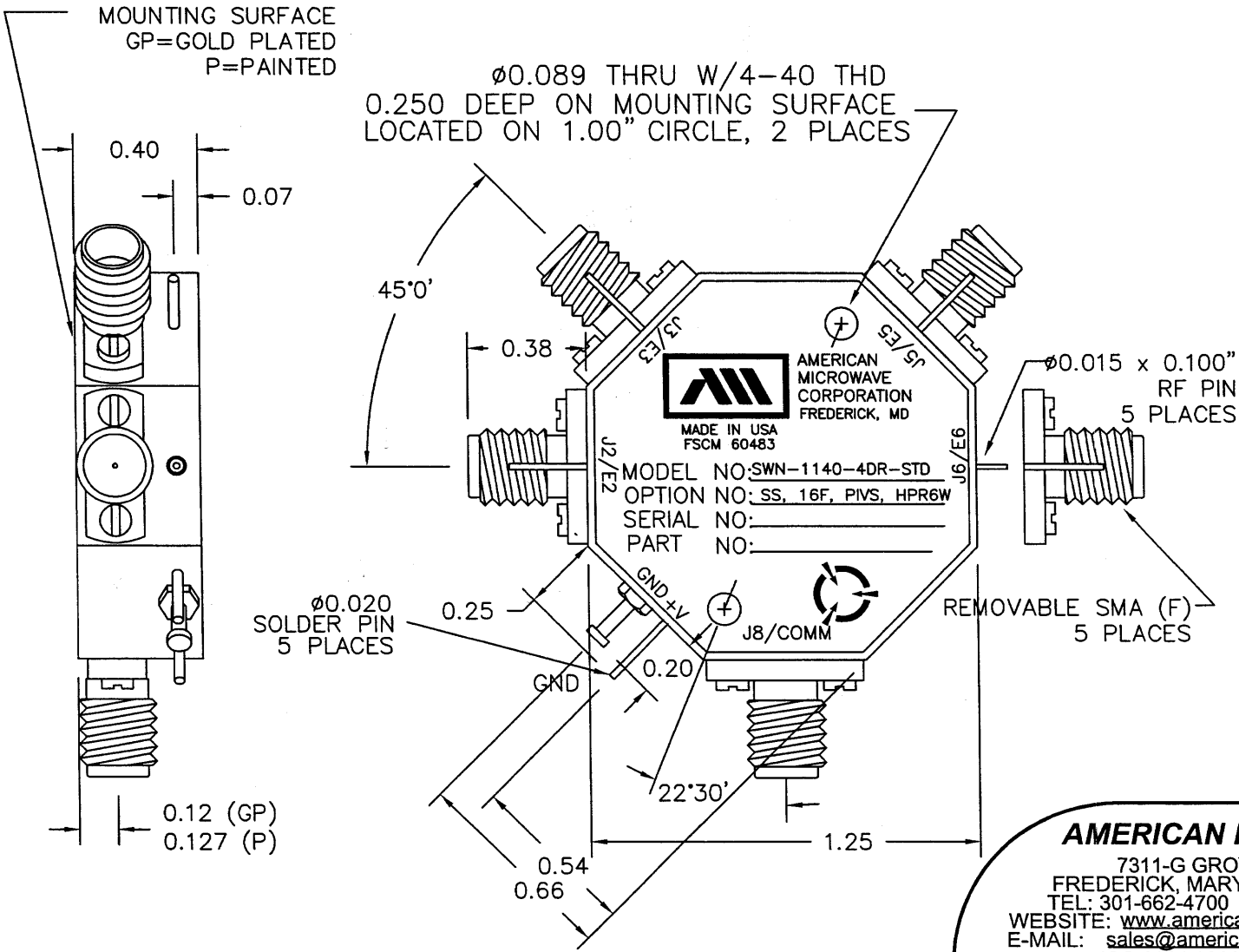


APPROVALS		DATE	TITLE		
DRAWN <i>ES</i>		10/21/04	PRODUCT FEATURE SWN-1140-4DR-STANDARD OPTION: SS, 16F, PIVS, HPR6W 16 GHz FIXED FREQUENCY SWITCHING MODULE		
CHECKED <i>JA</i>		11/16/04	SIZE A	FSCM NO. 60483	DWG NO. 100-7183
ISSUED			SCALE N:S	REV. -	
				SHEET 1 OF 3	

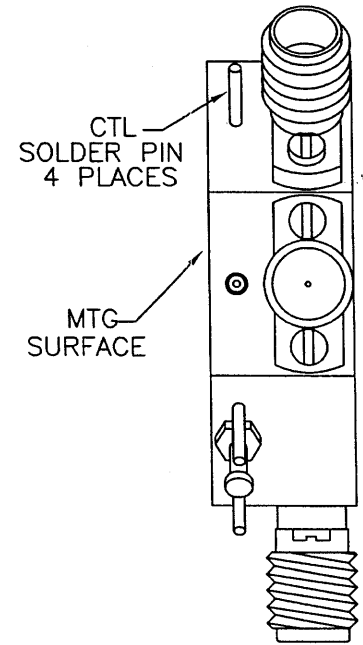
DESCRIPTION

AMC MODEL SWN-1140-4DR-STANDARD OPTION SS, 16F, PIVS, HPR6W IS A SINGLE POLE FOUR THROW, REFLECTIVE SOLID STATE SWITCH MODULE DESIGNED FOR HIGH POWER WITH SINGLE SUPPLY AND INTEGRAL TTL DRIVER FOR OPERATION AT 16 GHz FIXED FREQUENCY.

REVISIONS				
ZONE	REV.	DESCRIPTION	DATE	APPROVED
	-	ORIGINAL RELEASE JOB# 408208PE	10/21/04	



MECHANICAL OUTLINE



AMERICAN MICROWAVE CORPORATION

7311-G GROVE ROAD
FREDERICK, MARYLAND 21704 USA
TEL: 301-662-4700 FAX: 301-662-4938
WEBSITE: www.americanmicrowavecorp.com
E-MAIL: sales@americanmicrowavecorp.com
ISO 9001:2000 CERTIFIED



ALL DIMENSIONS ARE IN INCHES
TOLERANCES:
X.XX ±0.020
X.XXX ±0.010

APPROVALS		DATE	TITLE			
DRAWN	<i>EJB</i>	10/21/04	MECHANICAL OUTLINE SWN-1140-4DR-STANDARD OPTION: SS, 16F, PIVS, HPR6W 16 GHz FIXED FREQUENCY SWITCHING MODULE			
CHECKED	<i>PK</i>	12/16/04	SIZE	FSCM NO.	DWG NO.	REV.
ISSUED			A	60483	100-7183	-
			SCALE	N:S	SHEET	2 OF 3